

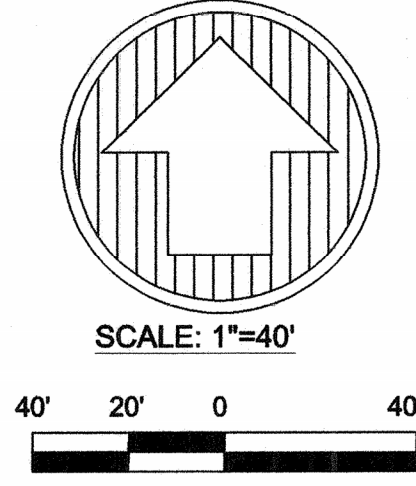
IRRIGATION SYSTEM LEGEND:

SYMBOL	MANUFACTURER/MODEL	DESCRIPTION	RAD	PSI	GPM	DET. NO.
Q H F	HUNTER 1-20-ADS-36S-6-0	ROTOR POP-UP	41"	40	6.0	6.0
		ROTOR POP-UP				
		ROTOR POP-UP				
		ROTOR POP-UP				
V V	TORO 5702-6P-PRX-COM-10-PC	SHRUB SPRAY POP-UP	10"	30-40	.33	.66
	RAINBIRD 1402	BUBBLER				

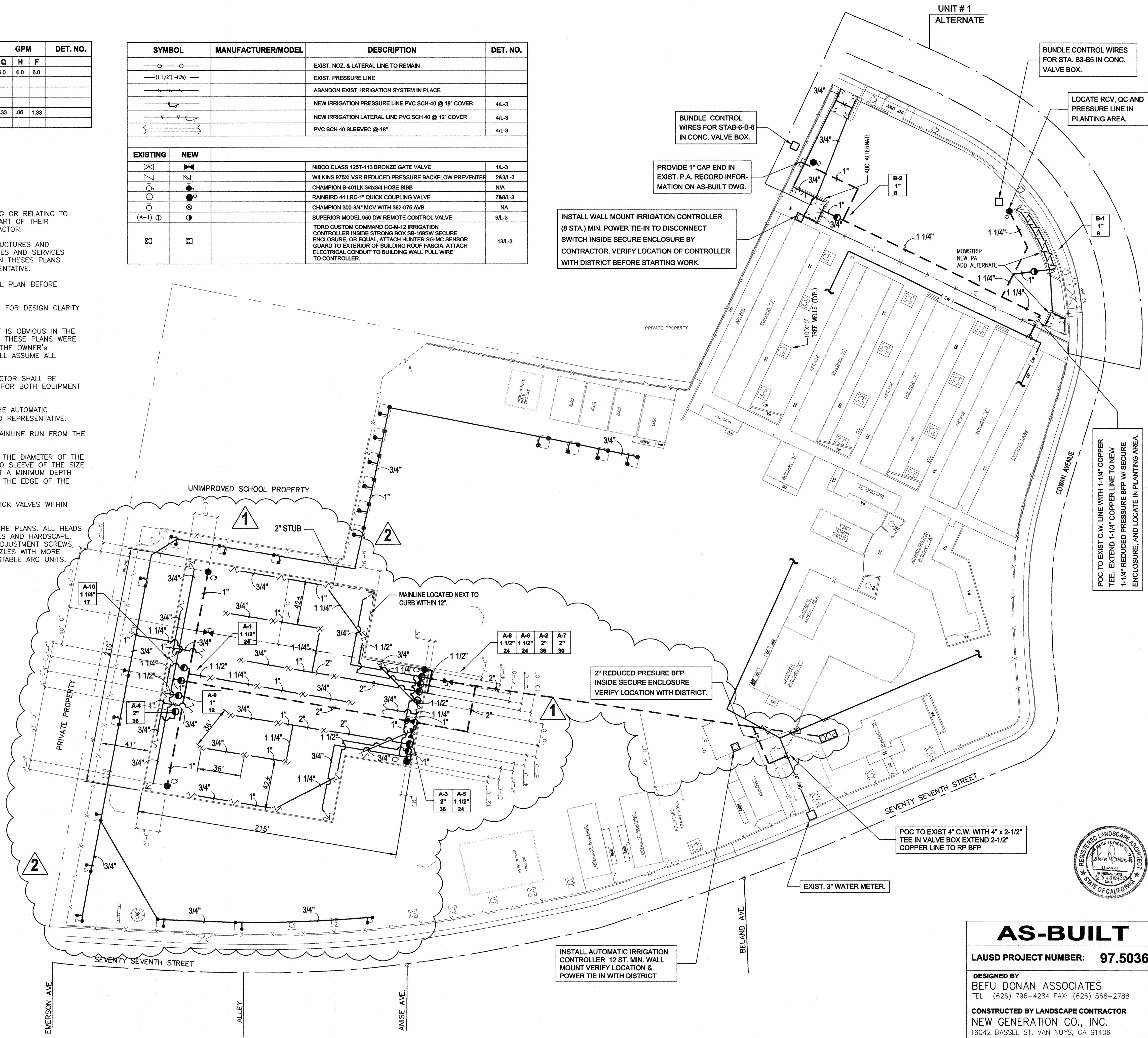
GENERAL NOTES:

- ALL LOCATION MUNICIPAL; AND STATE LAWS, RULES AND REGULATIONS GOVERNING OR RELATING TO ANY PORTION OF THIS WORK ARE HEREBY INCORPORATED INTO AND MADE A PART OF THEIR SPECIFICATION; AND THEIR PROVISIONS SHALL BE CARRIED OUT BY THE CONTRACTOR.
- THE CONTRACTOR SHALL VERIFY THE LOCATIONS OF ALL EXISTING UTILITIES, STRUCTURES AND SERVICES BEFORE COMMENCING WORK. THE LOCATIONS OF UTILITIES, STRUCTURES AND SERVICES SHOWN IN THESE PLANS ARE APPROXIMATE ONLY. ANY DISCREPANCIES BETWEEN THESE PLANS AND ACTUAL FIELD CONDITIONS SHALL BE REPORTED TO THE OWNER'S REPRESENTATIVE.
- THE CONTRACTOR SHALL OBTAIN THE PERTINENT ENGINEERING OR ARCHITECTURAL PLAN BEFORE BEGINNING WORK.
- THIS DESIGN IS DIAGRAMMATIC. ALL EQUIPMENT AS SHOWN IN PAVED AREAS ARE FOR DESIGN CLARITY ONLY, AND SHALL BE INSTALLED WITHIN PLANTING AREAS.
- DO NOT WILLFULLY INSTALL ANY EQUIPMENT AS SHOWN ON THE PLANS WHEN IT IS OBVIOUS IN THE FIELD THAT UNKNOWN CONDITIONS EXIST THAT WERE NOT EVIDENT AT THE TIME THESE PLANS WERE PREPARED. ANY SUCH CONDITIONS SHALL BE BROUGHT TO THE ATTENTION OF THE OWNER'S REPRESENTATIVE PRIOR TO ANY WORK DONE. THE IRRIGATION CONTRACTOR SHALL ASSUME ALL RESPONSIBILITY FOR ANY FIELD CHANGES DEEMED NECESSARY BY THE OWNER.
- INSTALL EQUIPMENT AS SPECIFIED IN THE DETAILS AND SPECIFICATIONS. CONTRACTOR SHALL BE RESPONSIBLE TO COMPLY WITH LOCAL CITY, COUNTY AND STATE REQUIREMENTS FOR BOTH EQUIPMENT AND INSTALLATION.
- ACTUAL LOCATION FOR THE INSTALLATION OF THE BACKFLOW PREVENTER AND THE AUTOMATIC CONTROLLER WILL BE DETERMINED IN THE FIELD BY THE OWNER'S AUTHORIZED REPRESENTATIVE.
- CONTRACTOR WILL PROVIDE AN ADDITIONAL PILOT WIRES TO THE END OF THE MAINLINE RUN FROM THE CONTROLLER, AS CALLED OUT ON PLAN.
- ALL PIPE UNDER PAVED AREAS WILL BE INSTALLED IN A SCH 40 SLEEVE TWICE THE DIAMETER OF THE PIPE CARRIED. ALL WIRE UNDER PAVED AREAS WILL BE INSTALLED IN A SCH 40 SLEEVE OF THE SIZE REQUIRED TO EASILY PULL WIRE THROUGH. ALL SLEEVES WILL BE INSTALLED AT A MINIMUM DEPTH SPECIFIED IN THE SLEEVING DETAIL. SLEEVES WILL EXTEND AT LEAST 12" PAST THE EDGE OF THE PAVING. ALL SLEEVES SHALL BE INSTALLED AS SHOWN ON THE PLAN.
- ALL QUICK COUPLER VALVES WILL BE INSTALLED PER DETAILS. INSTALL ALL QUICK VALVES WITHIN 8" OF HARDSCAPE.
- ALL HEADS WILL BE INSTALLED WITH NOZZLE, SCREEN AND ARCS SHOWN ON THE PLANS. ALL HEADS SHALL BE ADJUSTED TO PREVENT OVERSPRAY ONTO BUILDINGS, WALLS, FENCES AND HARDSCAPE. THIS INCLUDES, BUT IS NOT LIMITED TO, ADJUSTMENT OF DIFFUSER PIN OR ADJUSTMENT SCREWS, REPLACEMENT OF PRESSURE COMPENSATING SCREENS, REPLACEMENT OF NOZZLES WITH MORE APPROPRIATE RADIUS UNITS, AND THE REPLACEMENT OF NOZZLES WITH ADJUSTABLE ARC UNITS.

DESIGN CRITERIA	
NAME OF WATER SUPPLIER	DWP
LOCATION OF METER	ON 77TH ST. METER NO. 4061503
PRESSURE GIVEN BY/DATE	BERRY /22 APR 02
PHONE NUMBER	213 367-1225
CITY WATER PRESSURE/ELEV.	65 MIN./ 71 MAX./ 161' ELEV.
IRRIGATION CONTRACTOR SHALL VERIFY STATISTOWATER PRESSURE WITH SUPPLIER PRIOR TO INSTALLATION. IF DIFFERENT FROM ABOVE, NOTIFY OWNER. FAILURE OF NOTIFICATION MAY RESULT IN FILED CHANGES AT NO ADDITIONAL COST TO THE OWNER.	



SYMBOL	MANUFACTURER/MODEL	DESCRIPTION	DET. NO.
○		EXIST. NOZ. & LATERAL LINE TO REMAIN	
— (1 1/2") (C/W)		EXIST. PRESSURE LINE	
---		ABANDON EXIST. IRRIGATION SYSTEM IN PLACE	
—		NEW IRRIGATION PRESSURE LINE PVC SCH 40 @ 18" COVER	4/L-3
—		NEW IRRIGATION LATERAL LINE PVC SCH 40 @ 12" COVER	4/L-3
—		PVC SCH 40 SLEEVE @ 18"	4/L-3
EXISTING	NEW		
⊗	⊗	NIBCO CLASS 125T-113 BRONZE GATE VALVE	1/L-3
⊗	⊗	WILKINS 975XLVSR REDUCED PRESSURE BACKFLOW PREVENTER	2&3/L-3
⊗	⊗	CHAMPION B-401LK 3/4x3/4 HOSE BIBB	N/A
⊗	⊗	RAINBIRD 44 LRC-1" QUICK COUPLING VALVE	7&8/L-3
⊗	⊗	CHAMPION 300-3/4" MCV WITH 362-075 AVB	NA
⊗	⊗	SUPERIOR MODEL 950 DW REMOTE CONTROL VALVE	9/L-3
⊗	⊗	TORO CUSTOM COMMAND CC-M-12 IRRIGATION CONTROLLER INSIDE STRONG BOX SB-169SW SECURE ENCLOSURE, OR EQUAL, ATTACH HUNTER 9G-MC SENSOR GUARD TO EXTERIOR OF BUILDING ROOF FASCIA, ATTACH ELECTRICAL CONDUIT TO BUILDING WALL, PULL WIRE TO CONTROLLER.	13/L-3



INSTALL WALL MOUNT IRRIGATION CONTROLLER (8 STA.) MIN. POWER TIE-IN TO DISCONNECT SWITCH INSIDE SECURE ENCLOSURE BY CONTRACTOR. VERIFY LOCATION OF CONTROLLER WITH DISTRICT BEFORE STARTING WORK.

BUNDLE CONTROL WIRES FOR STAB-6-B-8 IN CONC. VALVE BOX.

BUNDLE CONTROL WIRES FOR STA. B3-B5 IN CONC. VALVE BOX.

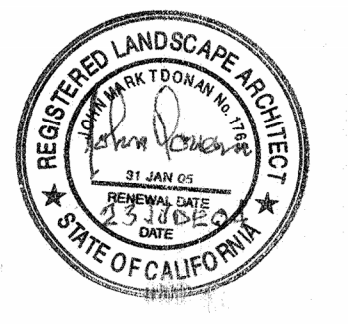
LOCATE RCV, QC AND PRESSURE LINE IN PLANTING AREA.

2" REDUCED PRESSURE BFP INSIDE SECURE ENCLOSURE VERIFY LOCATION WITH DISTRICT.

POC TO EXIST 4" C.W. WITH 4" x 2-1/2" TEE IN VALVE BOX EXTEND 2-1/2" COPPER LINE TO RP BFP

EXIST. 3" WATER METER.

INSTALL AUTOMATIC IRRIGATION CONTROLLER 12 ST. MIN. WALL MOUNT VERIFY LOCATION & POWER TIE IN WITH DISTRICT



AS-BUILT

LAUSD PROJECT NUMBER: **97.50366**

DESIGNED BY
BEFU DONAN ASSOCIATES
TEL. (626) 796-4284 FAX: (626) 568-2788

CONSTRUCTED BY LANDSCAPE CONTRACTOR
NEW GENERATION CO., INC.
16042 BASSEL ST. VAN NUYS, CA 91406
TEL. (818) 909-9299 FAX: (818) 909-9497

PROJECT: ASPHALTIC CONCRETE YARD RESURFACING

IRRIGATION PLAN

E. W. MOON, INC.
Infrastructure Group
11311 Venice Blvd., Los Angeles, CA 90006
Phone: (310) 916-1018 Fax: (310) 916-1028

BDA
LANDSCAPE ARCHITECTS, CA 1765
230 South Lake Avenue, Suite 707, Pasadena, CA 91101
Phone: (626) 796-4284 Fax: (626) 568-2788

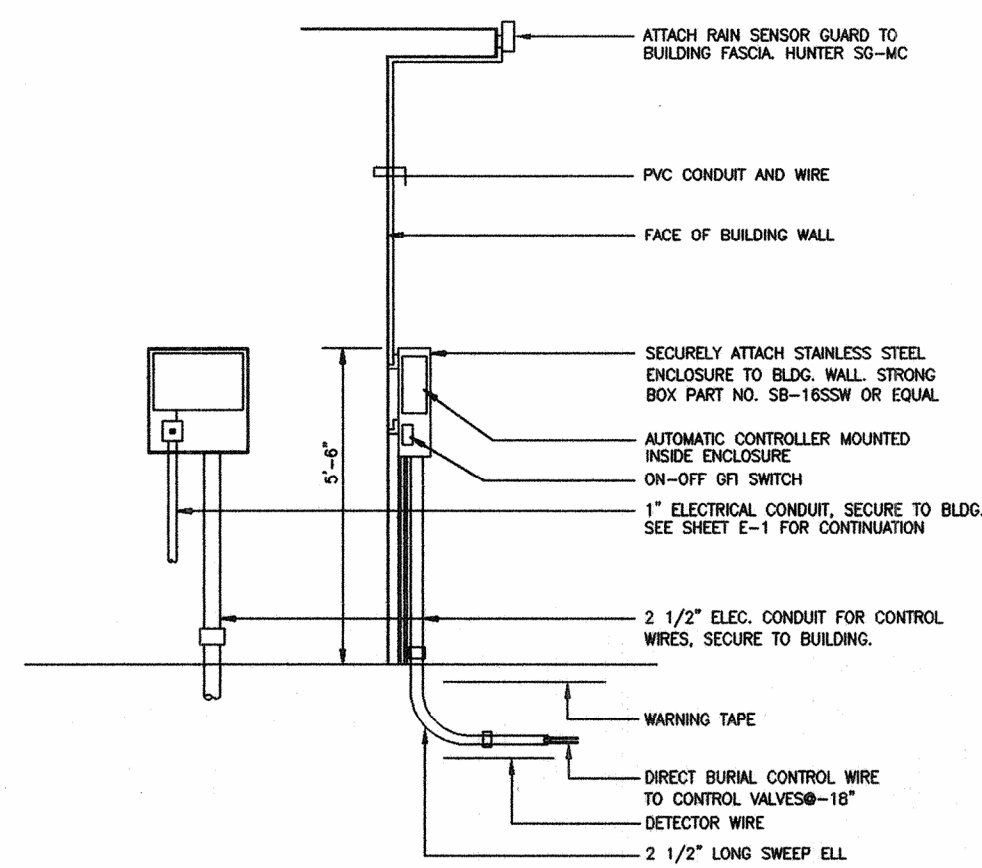
REVISIONS	
△	ISSUED FOR BID
△	REVISION NO. 1
△	AS-BUILT

JOB NUMBER	97.50641
DRAWN BY	JP
CHECKED BY	JD
DATE	05-19-2003
INDEX NO.	13/14

UNIT # 1 ALTERNATE

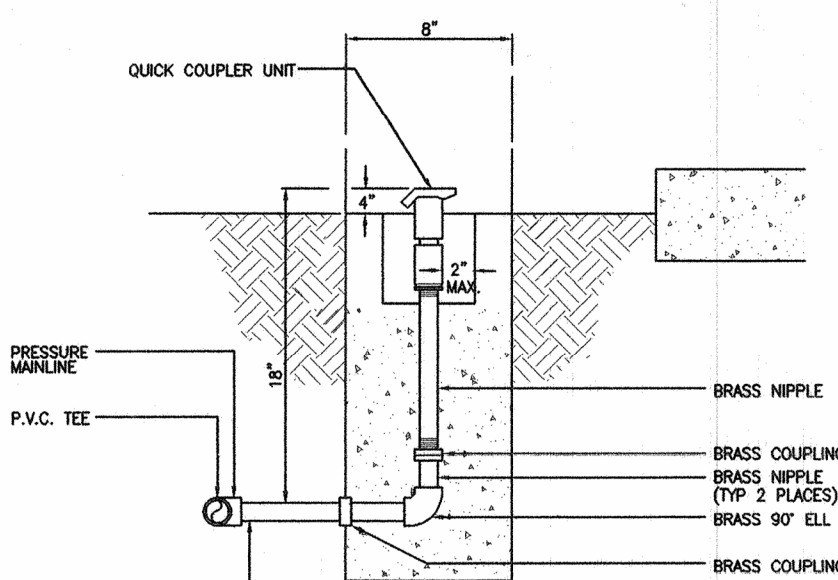
LOS ANGELES UNIFIED SCHOOL DISTRICT - UNIFIED BOARD OF EDUCATION

DESIGN & INSPECTION BRANCH
FACILITIES SERVICES DIVISION
1000 W. 10TH ST. SUITE 1000
LOS ANGELES, CALIFORNIA 90057

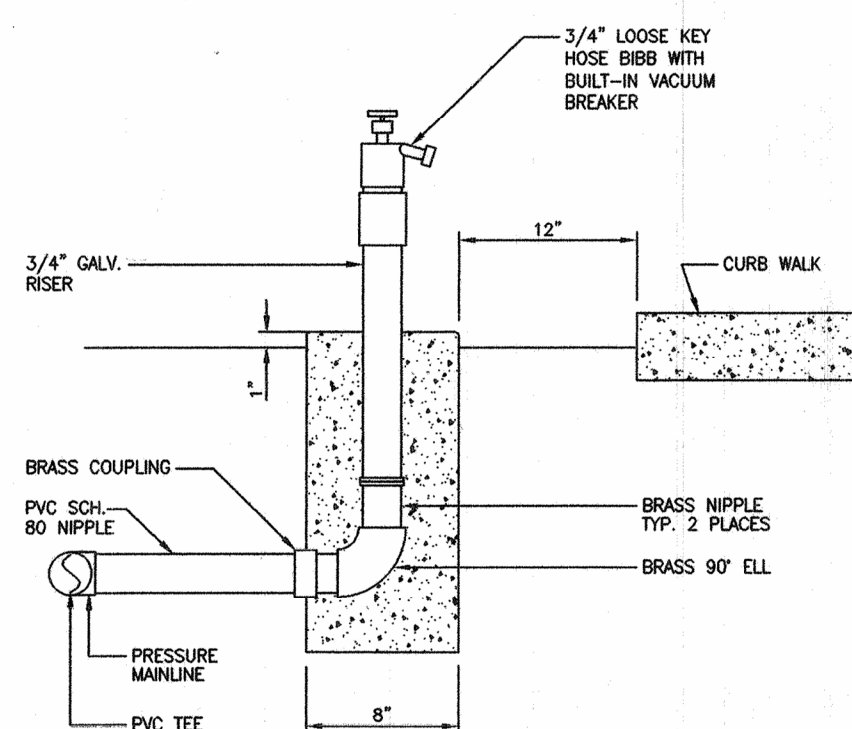


13 IRRIGATION CONTROLLER - WALL MOUNT
NOT TO SCALE

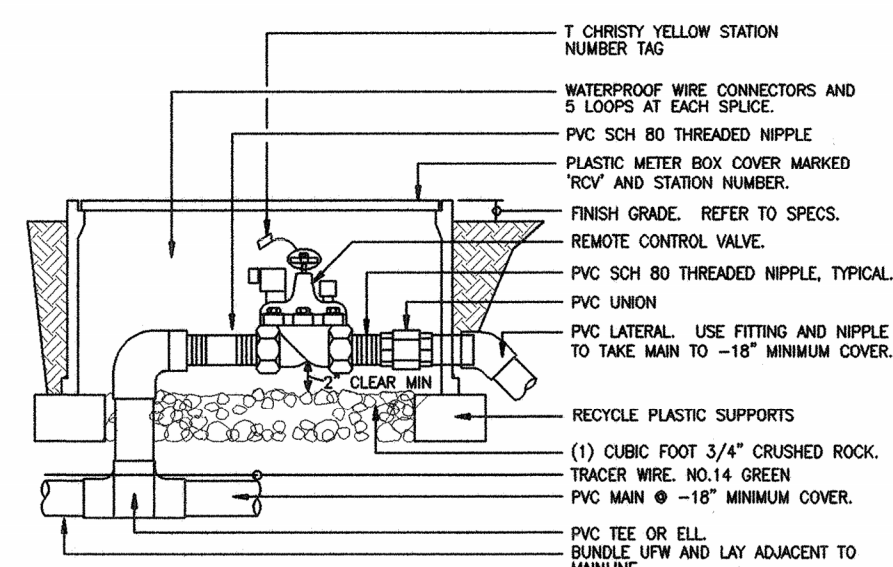
NOTE: WRAP ALL EMBEDDED PIPING WITH 10 MIL TAPE



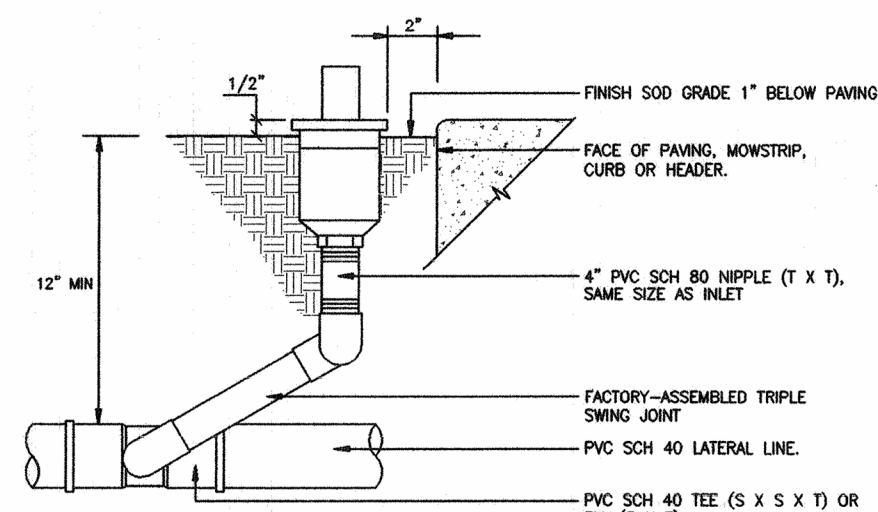
14 QUICK COUPLING VALVE PLANTED AREA
NOT TO SCALE



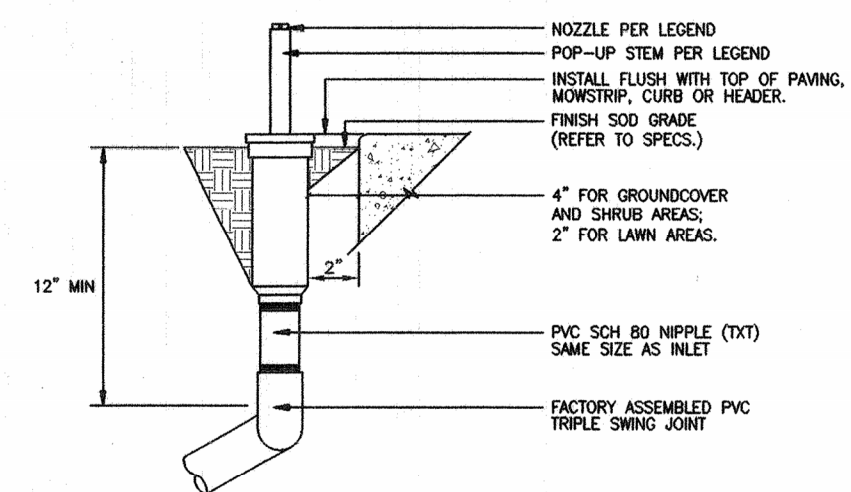
15 HOSE BIBB
NOT TO SCALE



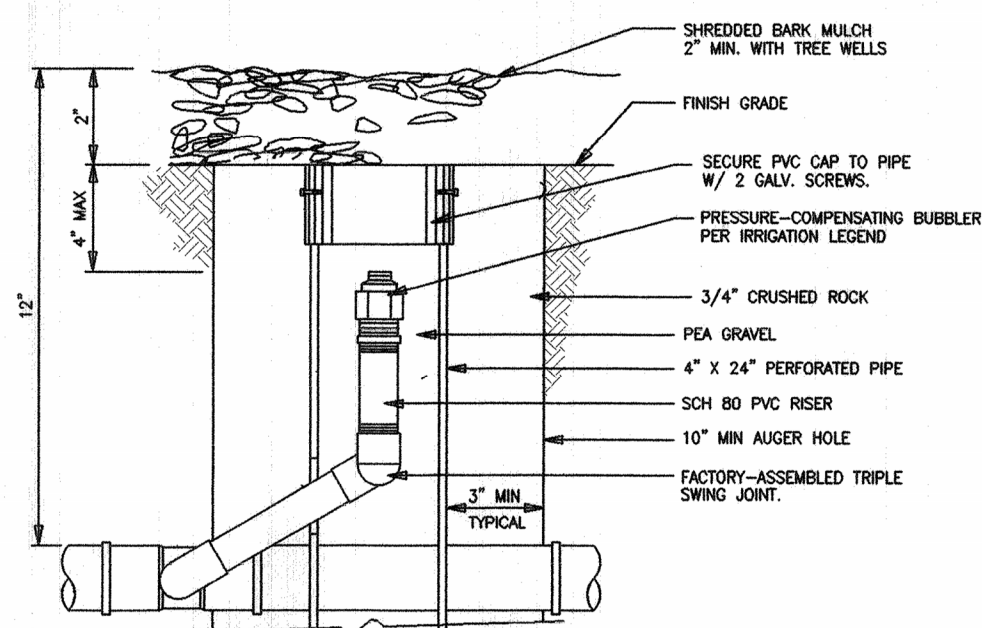
9 REMOTE CONTROL VALVE
NOT TO SCALE



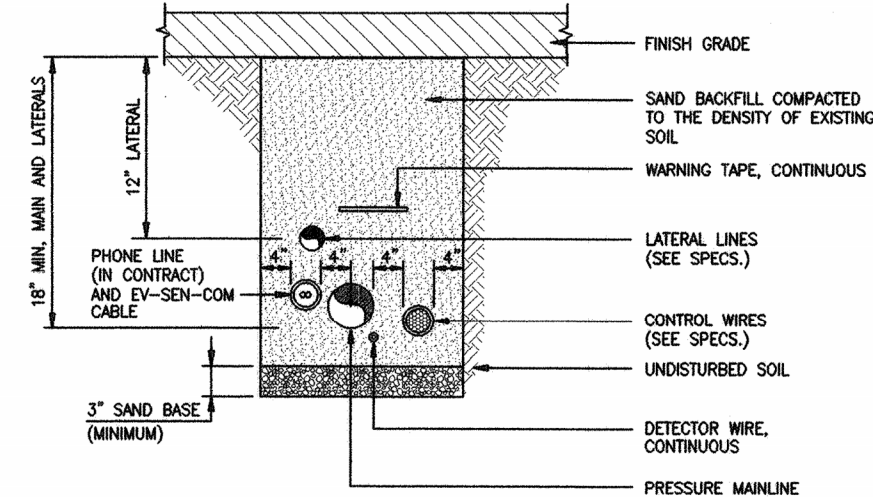
10 ROTARY POP-OUT
NOT TO SCALE



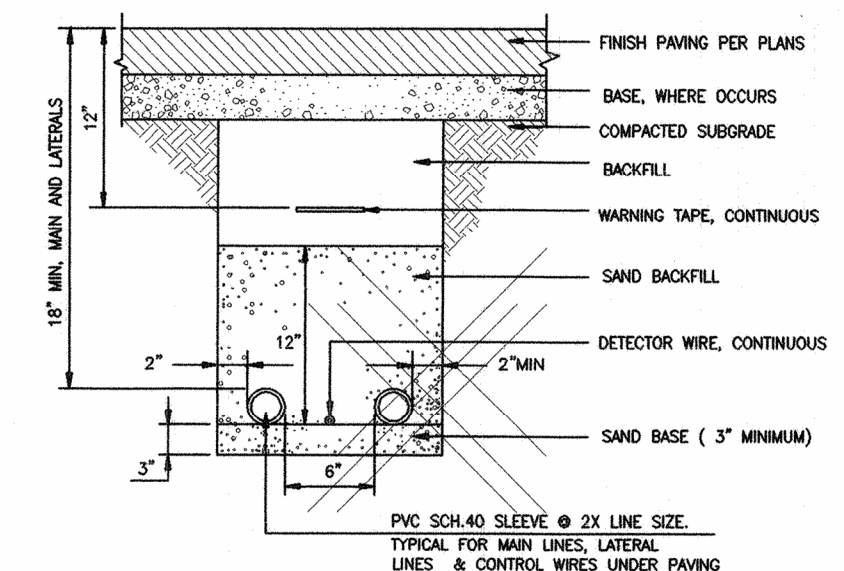
11 LAWN/SHRUB SPRAY POP-OUT
NOT TO SCALE



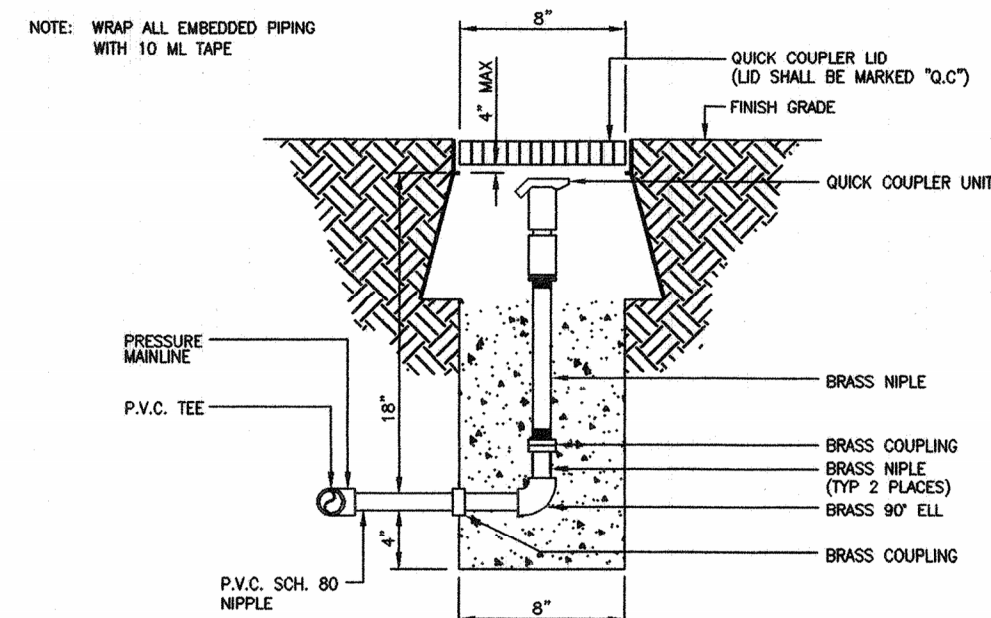
12 TREE WELL BUBBLER (2 PER TREE)
NOT TO SCALE



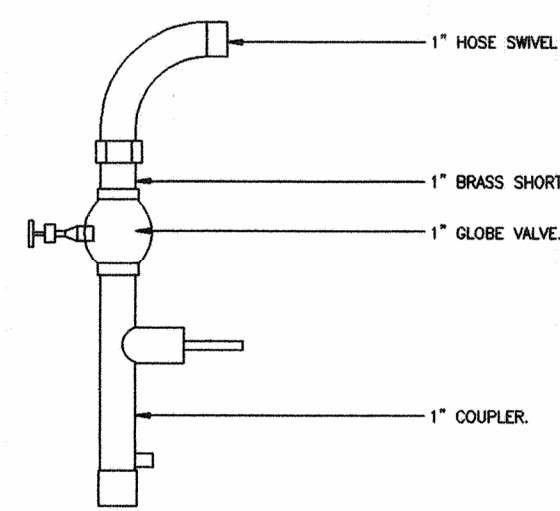
5 TRENCH DETAIL (PLANTED AREAS)
NOT TO SCALE



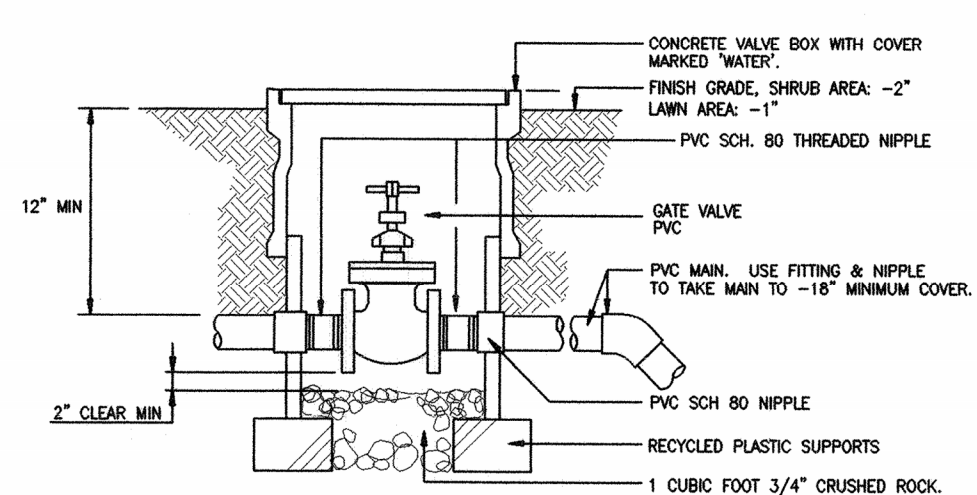
6 PIPE UNDER PAVING
NOT TO SCALE



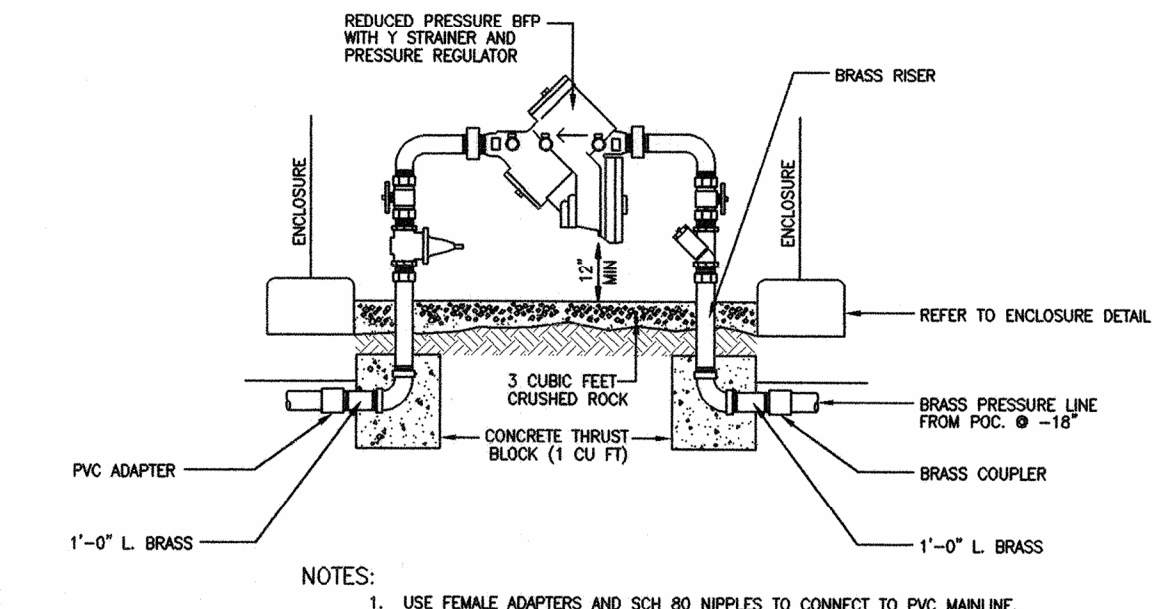
7 QUICK COUPLING VALVE TURF AREA
NOT TO SCALE



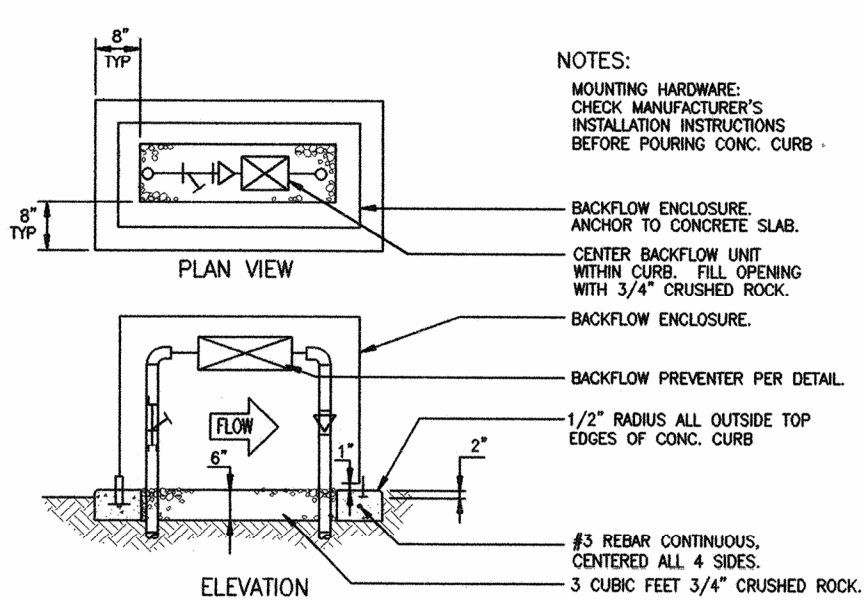
8 QUICK COUPLER VALVE ASSEMBLY
NOT TO SCALE



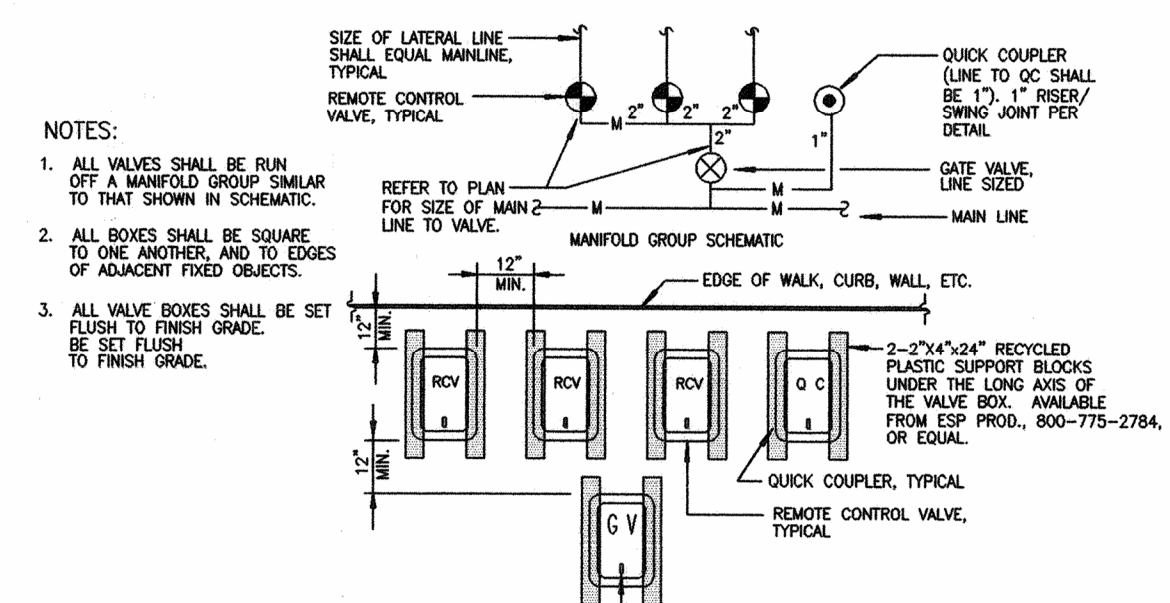
1 GATE VALVE
NOT TO SCALE



2 REDUCED-PRESSURE BACKFLOW PREVENTER
NOT TO SCALE



3 BACKFLOW ENCLOSURE
NOT TO SCALE



4 VALVE BOX PLACEMENT
NOT TO SCALE



AS-BUILT

LAUSD PROJECT NUMBER: 97.50366

DESIGNED BY
BEFU DONAN ASSOCIATES
TEL. (626) 796-4284 FAX: (626) 568-2788

CONSTRUCTED BY LANDSCAPE CONTRACTOR
NEW GENERATION CO., INC.
16042 BASSEL ST. VAN NUYS, CA 91406
TEL. (818) 909-9299 FAX: (818) 909-9497

ASPHALTIC CONCRETE YARD RESURFACING

IRRIGATION DETAILS

SCHOOL
COWAN AVENUE SCHOOL
7615 COWAN AVENUE
LOS ANGELES, CA 90045

E. W. MOON, INC.
Infrastructure Group
11311 Venice Blvd, Los Angeles, CA 90066
Phone: (310) 815-1018 Fax: (310) 815-1038

BDA
LANDSCAPE ARCHITECTS, CA 1765
230 South Lake Avenue, Suite 'D', Pasadena, CA 91101
Phone: (626) 796-4284 Fax: (626) 568-2788

REVISIONS	
△	ISSUED FOR BID
△	REVISION NO. 1
△	
△	
JOB NUMBER	97.50641
DRAWN BY	JP
CHECKED BY	JD
DATE	01-16-2003
INDEX NO.	14/14